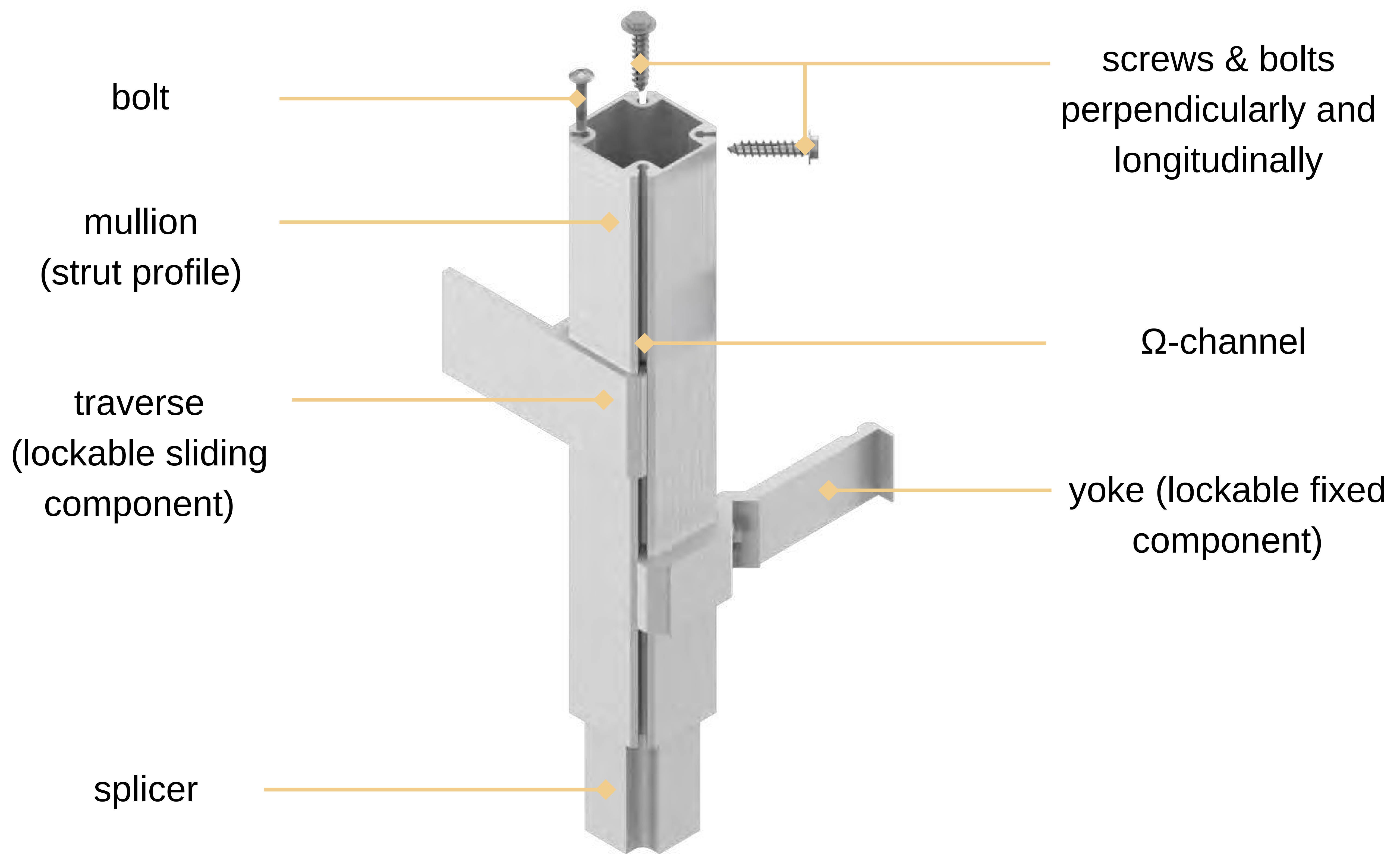


Systems for any:

- cladding material (incl. BiPV)
- panel fixing method
- size & configuration (incl. trays, large size sheet)
- façade pattern and feature

Complete solutions for any cladding

BILDA® mullion multi-functional & resilient



Composes light and resilient substructure grids and allows:

- horizontal positioning for “portrait” oriented cladding panel
- quick locking attachment of components - dual penetration and fixing
- pre-assembly of frames and units by means of simple screwing and without welding

BILDA® components - integral & interlocking

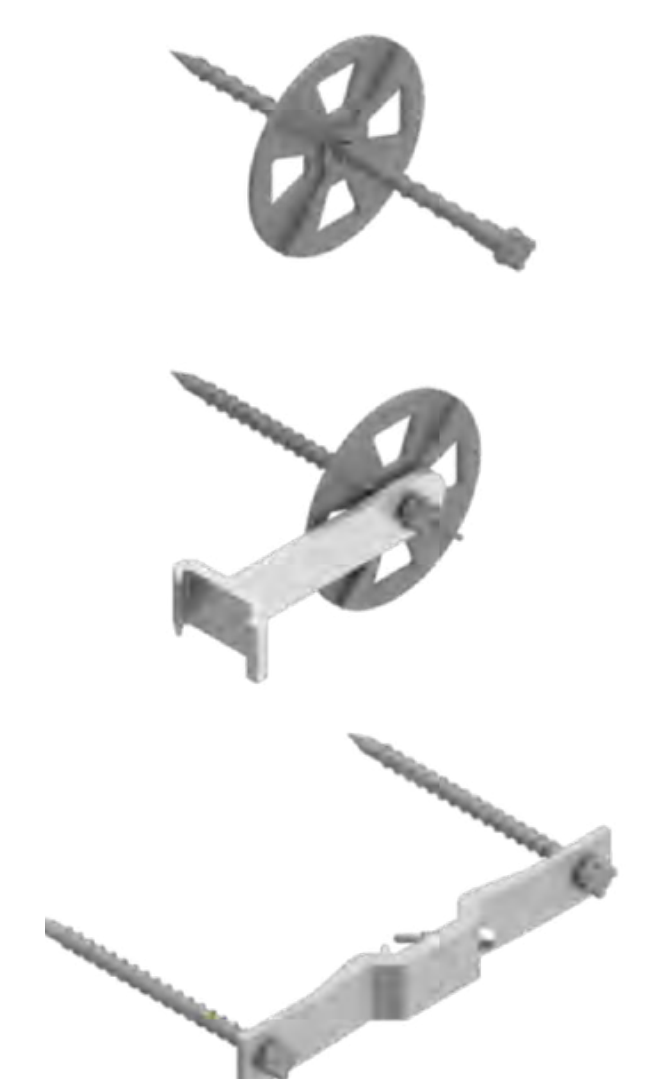
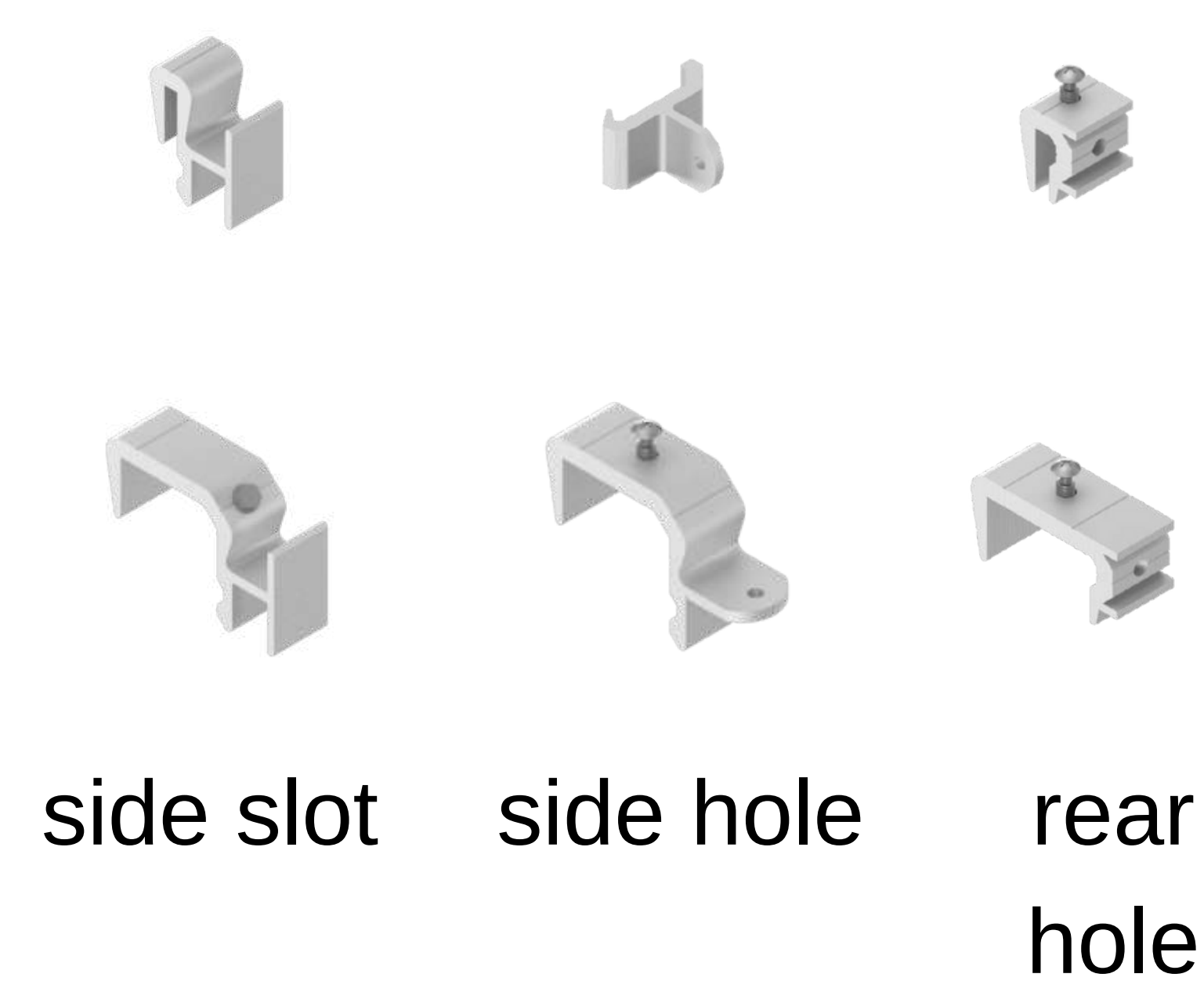
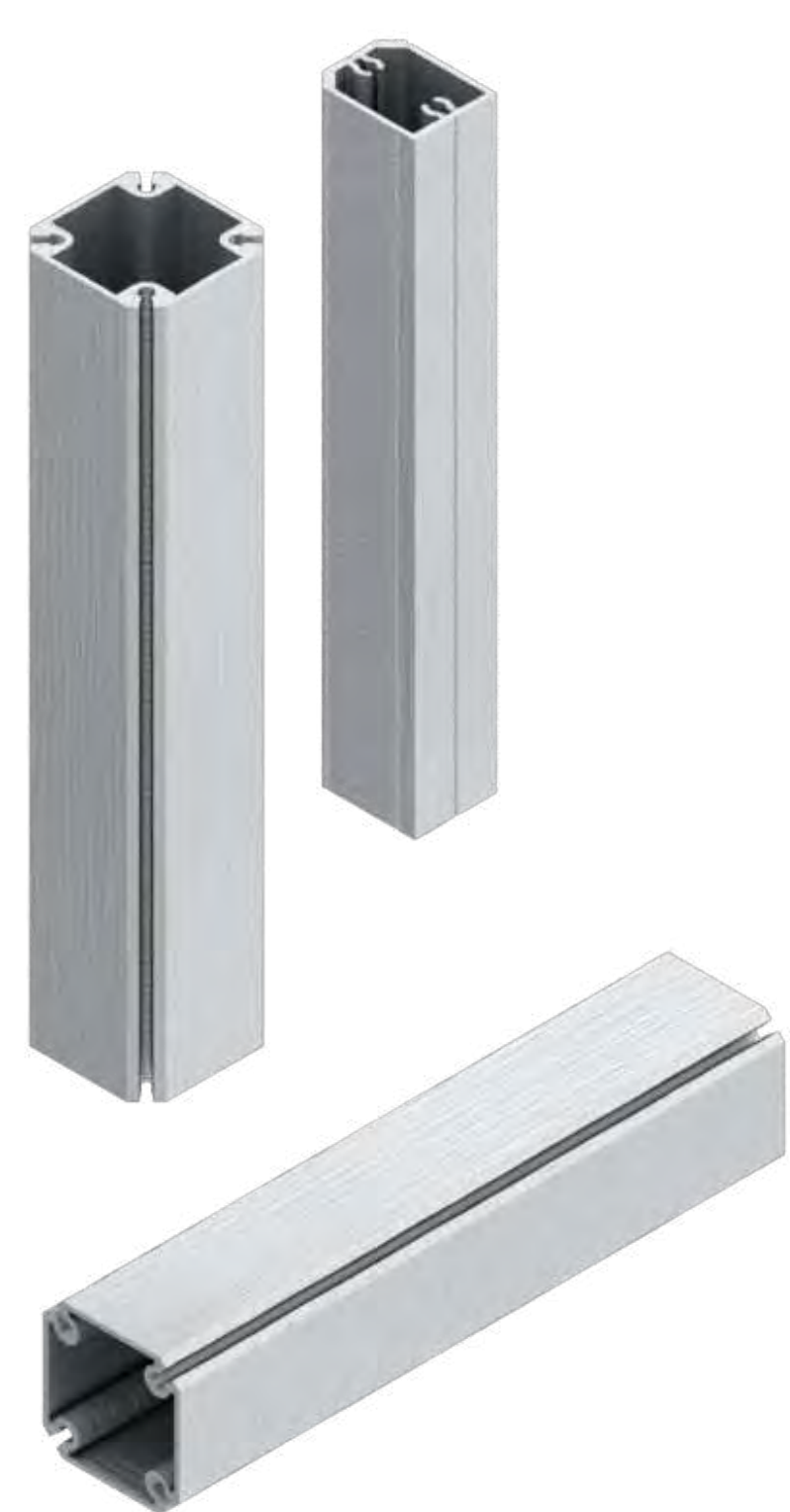
wall brackets

mullions (strut profiles)

yokes

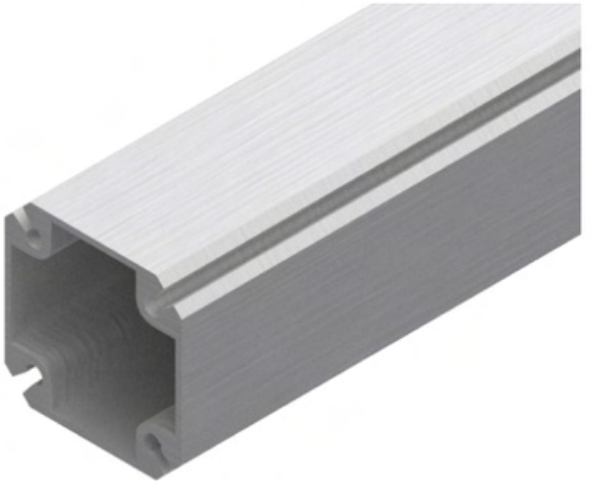
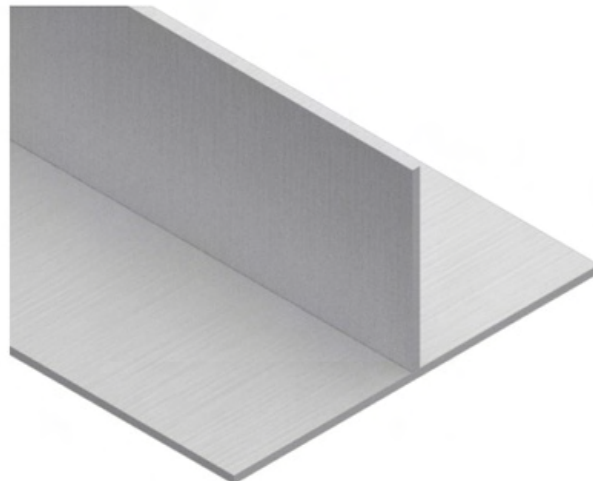
clips

insulation & firestop fixers



- Simple and interactive inventory for the whole rainscreen envelope (cladding & insulation)
- Interchangeable, inter-lockable, multifunctional components
- Facilitating accessories (scaffolding clamps, fire barrier fixers)

Structural Concept Comparison

	profile type	
closed section patent profile		open section simple profile
1100 g/m	profile weight	1200 g/m
4.69 cm³	section modulus (resilience indicator)	2.60 cm³
1 bracket 1 brace	attachments per floor height	4-5 brackets

BILDA - creates leaner yet stronger assemblies:

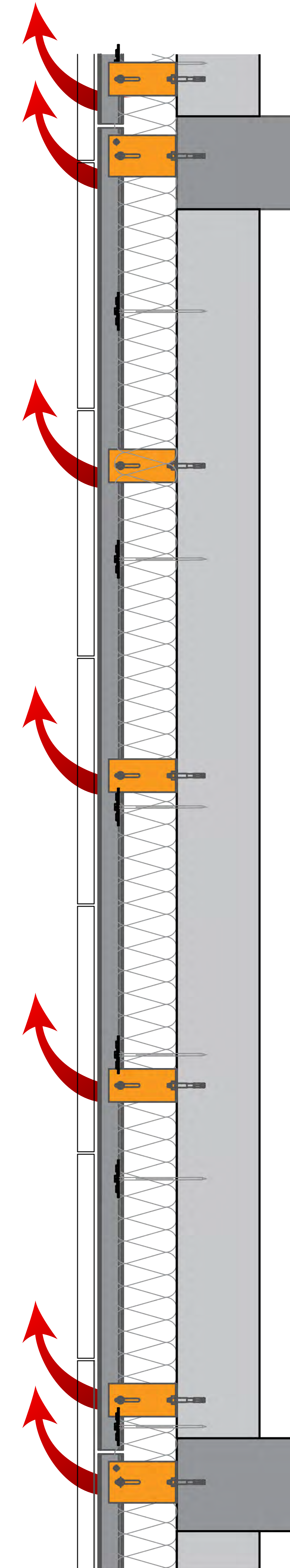
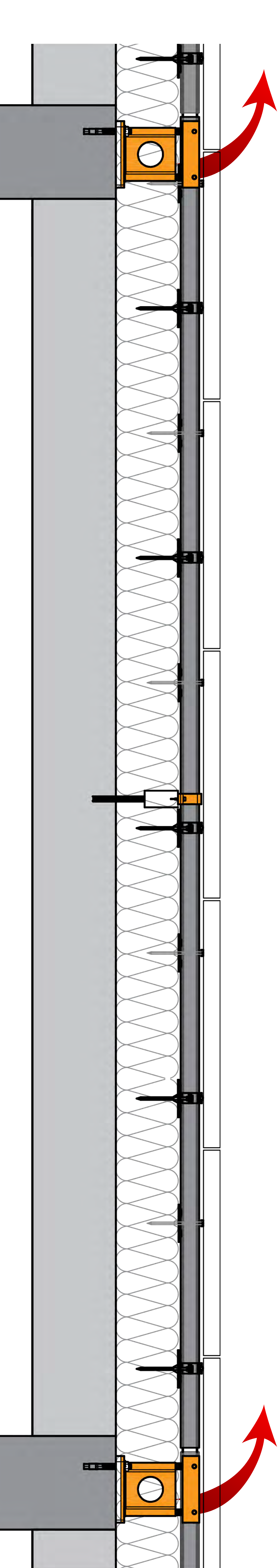
- saves substructure and envelope material
- saves installation and production time
- achieves lowest embodied Carbon

Thermal Performance Comparison

SS & Al	bracket material (SS less conductive)	Al
Advanced	bracket thermal performance (acc. to PH Institute)	Basic
0.25/m²	brackets per square meter	1.20/m²
0.014 W/m²K	overall envelope heat loss (ΔU) (acc. to PH Institute)	0.030 W/m²K

BILDA - unmatched thermal performance:

- minimizes thermal bridging of the building envelope
- achieves lowest operational Carbon



BILDA® one SuperSystem for any cladding



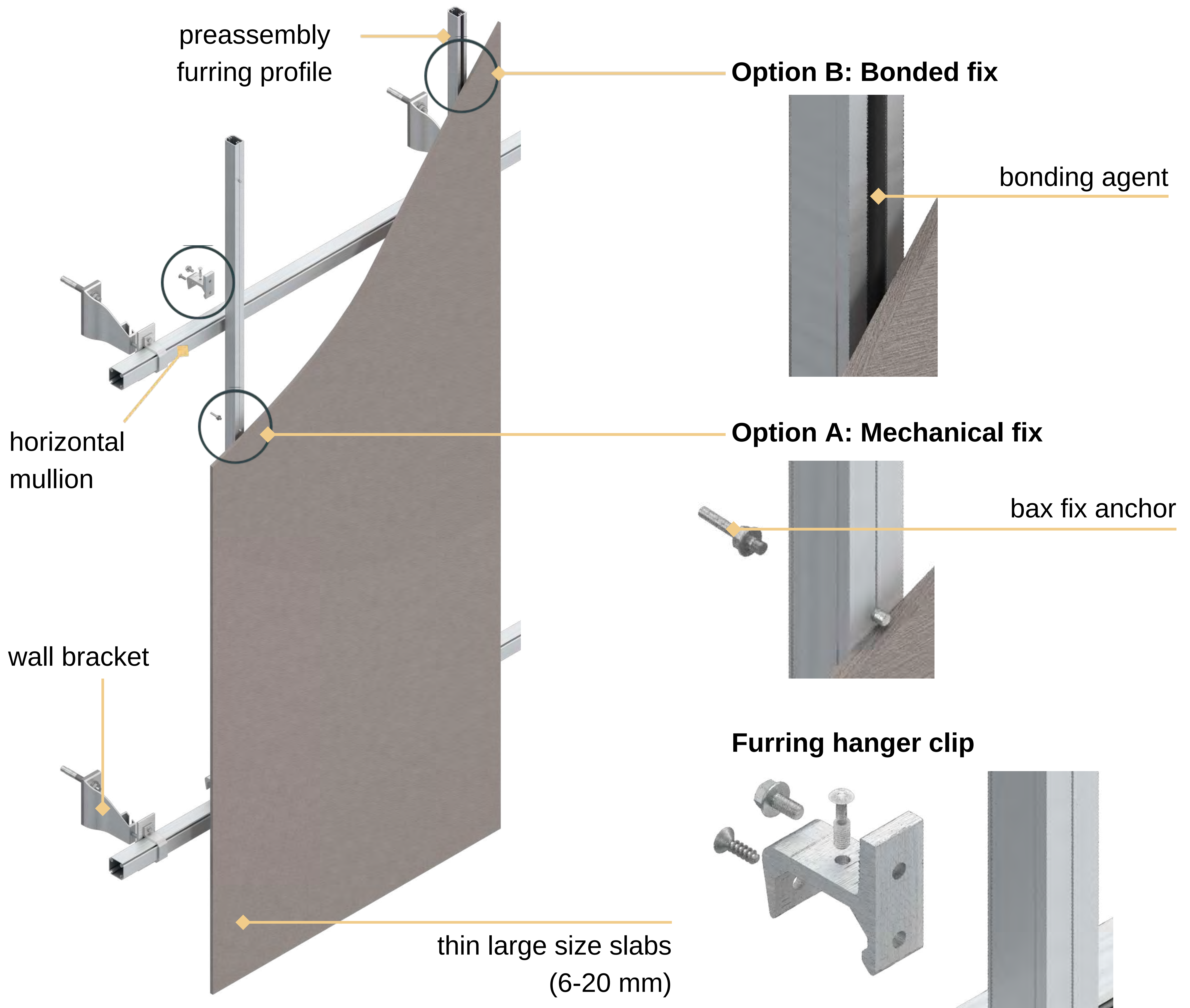
side "precision" slot
(recommended)



side hole



rear hole
(straight, undercut)



- Variety of clips for all panel fixing methods (slot, side and rear)
- Furring for large size thin panels - mechanical & bonded

BILDA® advantages and benefits for all stakeholders



Architects

- unleash creativity
- design sustainably
- minimize constraints
- regain & retain control



Façade Engineers

- optimize processes
- design with confidence
- unleash productivity
- minimize carbon footprint



General Contractors

- simplify management
- optimize coordination
- improve QC
- control schedule



Envelope Installers

- improve productivity
- increase profitability
- enjoy work facility
- enhance proposition



Materials Manufacturer

- enjoy technical support
- improve coordination with planners
- expand business horizon
- add value to your proposal



Commercial Partner

- increase profitability
- enjoy sales growth
- support customers easily
- expand market share



Unique Concept

Mullion - resilient & multi-functional

Components - integral & interlocking

One SuperSystem - for any cladding



Basic Advantages

Provides optimized solutions

Lego-like simple connections

Simplifies envelope creation process



Benefits in Numbers

20-30%

Savings on envelope materials

50-60%

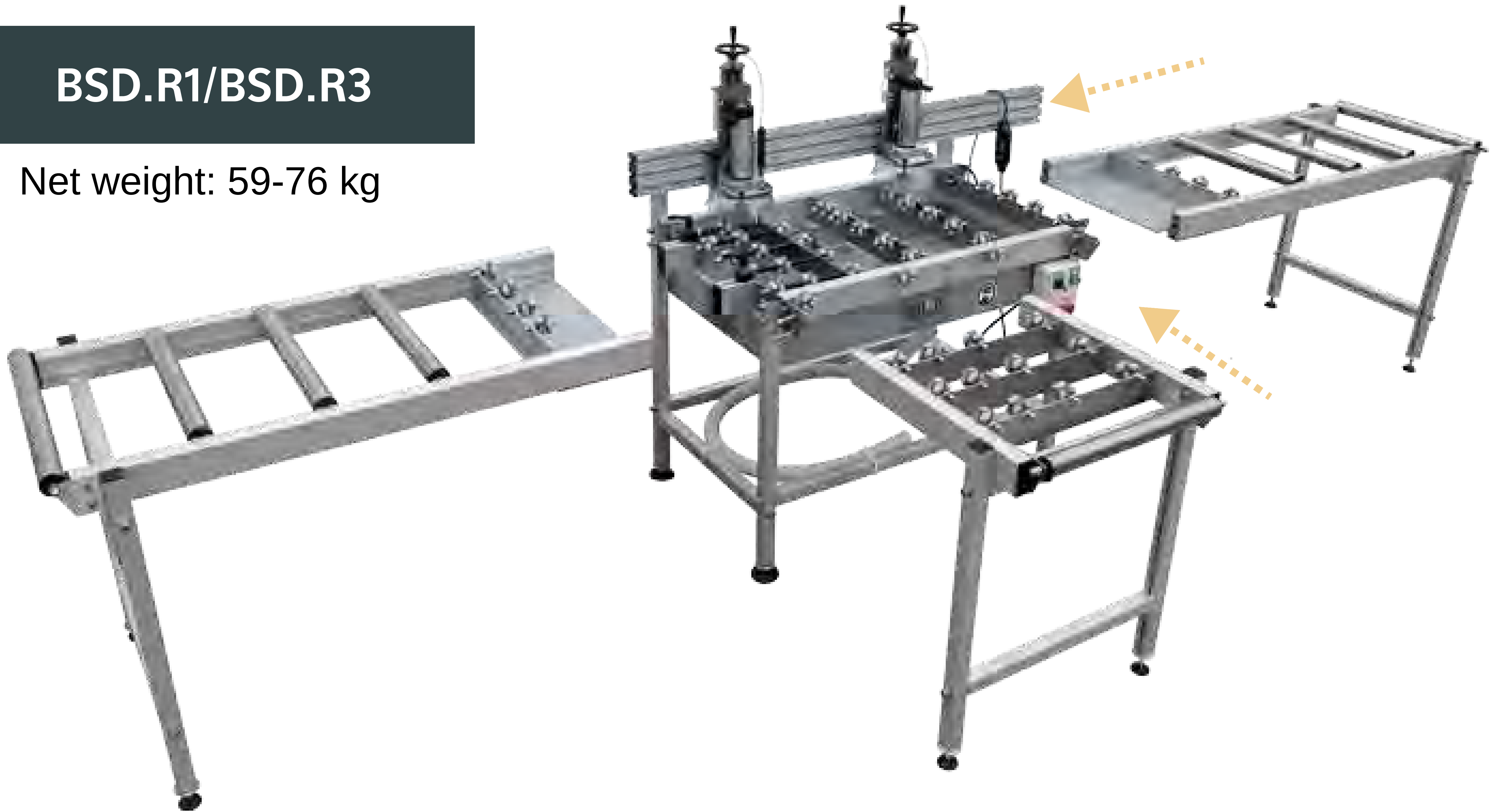
Savings on installation expense

30-40%

Savings on management time

BSD.R1/BSD.R3

Net weight: 59-76 kg



The **multifunctional panel “socket” processing range** is for wet diamond, widia and carbonflex drilling, developed by BILDA itself. It is compact, light, modular, capable of handling any panel type and any size, for the building site and factory premises.

Slotting & Drilling Rig

- produces all types of “sockets” for cladding panels (precision side slot, side hole and rear hole)
- diamond milling wheels for BILDA precision slot (52/2.6mm, 58/3.6mm), bespoke sizes available on demand
- drilling bits and extractor for holes of 6,8,10 and 12 mm diameter
- multidirectional rolling wheel allow easy handling
- highly efficient, fast and multifunctional
- light-weight - for factory, workshops, project site

Handheld tool - light, compact and portable

- produces all type of “sockets” stable and
- easy to operate
- low cost



Drilling bits and extractor



Diamond milling wheels



BSD.R1/BSD.R3

Net weight: 4.7 kg

BILDA® projects in over 20 countries



**De Zalmhaven Toren,
Rothersam, The Netherlands**



**Onyx, Frankfurt,
Germany**



**The Foundation Parnell,
Auckland, New Zealand**



**Sport University Complex,
Kuwait**

Services & Support

Façade consulting | Planning & shop drawings | Structural calculation | Design/Installation training |
Custom project package | Free technical support



scan to
download
BILDA
catalogue

📍 3A Ivan Borimechkata Str., 1756 Sofia
☎ +359 2 9744 888; +359 899 992 992
✉ bilda@stoa.net 🌐 www.bilda.net

Book a meeting with one of our experts!
Send us your project for a technical solution and quote!